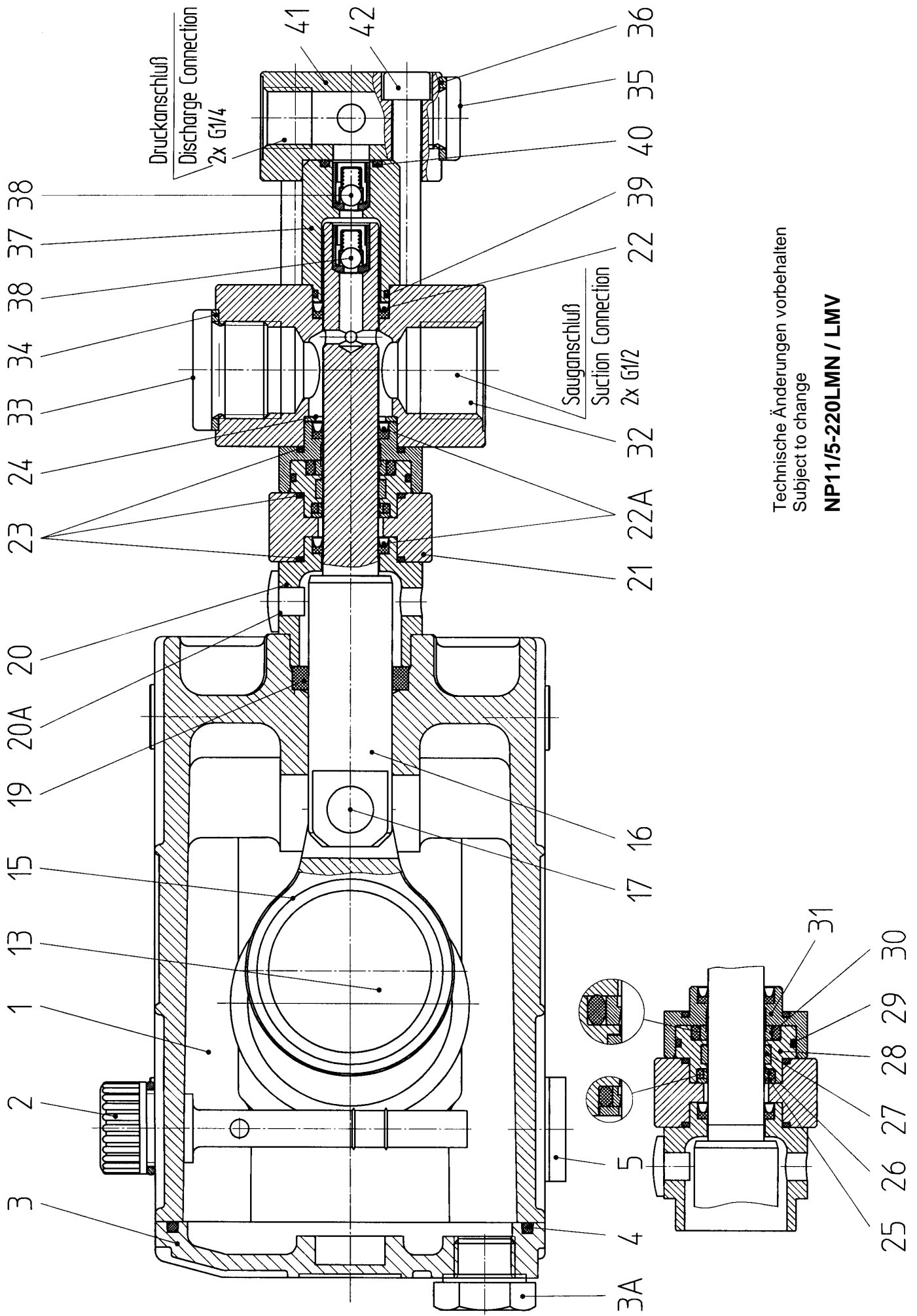


| Lfd. Nr.<br>Item No. | Stückzahl<br>No. Off | Best.-Nr.<br>Code No. | Benennung                        | Description                   |
|----------------------|----------------------|-----------------------|----------------------------------|-------------------------------|
| 1                    | 1                    | 01.0858               | Antriebsgehäuse                  | Crankcase                     |
| 2                    | 1                    | 00.4011               | Ölmeßstab                        | Oil Dipstick                  |
| 3                    | 1                    | 03.0326               | Getriebedeckel                   | Crankcase Cover               |
| 3A                   | 1                    | 00.2372               | Ölablaßstopfen kpl.              | Oil Drain Plug Assy           |
| 4                    | 1                    | 06.0050               | O-Ring                           | O-Ring                        |
| 5                    | 1                    | 00.3842               | Stopfen kpl.                     | Plug Assy                     |
| 6                    | 4                    | 21.0069               | Zylinderschraube                 | Cylinder Screw                |
| 6A                   | 4                    | 07.3052               | Federring                        | Spring Washer                 |
| 7                    | 2                    | 03.0229               | Lagerdeckel                      | Bearing Cover                 |
| 8                    | 1                    | 07.3065               | Ölschauglas                      | Oil Sight Glass               |
| 9                    | 1                    | 06.0964               | O-Ring                           | O-Ring                        |
| 10                   | 8                    | 21.0028               | Sechskantkombischraube           | Hexagon Screw                 |
| o•11                 | 1                    | 06.0057               | Radialwellendichtring            | Radial Shaft Seal             |
| 12A                  | 1                    | 05.0076               | Rillenkugellager                 | Ball Bearing                  |
| 12B                  | 1                    | 05.0077               | Rillenkugellager                 | Ball Bearing                  |
| 13                   | 1                    | 11.0618               | Kurbelwelle                      | Crankshaft                    |
| 14                   | 1                    | 07.3049               | Paßfeder                         | Fitting Key                   |
| 15                   | 3                    | 16.0036               | Gleitlagerpleuel                 | Connecting Rod                |
| 16                   | 3                    | 11.0773               | Plunger                          | Plunger                       |
| 17                   | 3                    | 11.0585               | Kreuzkopfbolzen                  | Crosshead Pin                 |
| o•19                 | 3                    | 06.1167               | Getriebedichtung                 | Gear Seal                     |
| 20                   | 3                    | 07.4150               | Abstandsring                     | Spacer Ring                   |
| 20A                  | 3                    | 07.4156               | Verschlußstopfen                 | Plug                          |
| 21                   | 1                    | 01.0856               | Zwischengehäuse                  | Intermediate Casing           |
| o•22                 | 3                    | 06.1201               | Nutring                          | Grooved Seal Ring             |
| o•22A                | 6                    | 06.1424               | Nutring LRF                      | Grooved Ring Drip-Return      |
| o23                  | 9                    | 06.0610               | O-Ring MN                        | O-Ring MN                     |
| •23                  | 9                    | 06.1367               | O-Ring MV                        | O-Ring MV                     |
| 24                   | 3                    | 07.4152               | Distanzring                      | Spacer Ring                   |
| 25                   | 3                    | 07.4461               | Stützring                        | Support Ring                  |
| o26                  | 3                    | 06.1570               | Stangendichtung MN               | Rod Seal MN                   |
| •26                  | 3                    | 06.1573               | Stangendichtung MV               | Rod Seal MV                   |
| o•27                 | 3                    | 06.1572               | Führungsband                     | Guide Band                    |
| 28                   | 3                    | 07.4460               | Führungshülse                    | Guide Sleeve                  |
| o29                  | 3                    | 06.0761               | O-Ring MN                        | O-Ring MN                     |
| •29                  | 3                    | 06.1575               | O-Ring MV                        | O-Ring MV                     |
| o30                  | 3                    | 06.1571               | Stangendichtung MN               | Rod Seal MN                   |
| •30                  | 3                    | 06.1574               | Stangendichtung MV               | Rod Seal MV                   |
| 31                   | 3                    | 07.4459               | Dichtungsaufnahme                | Seal Retainer                 |
| 32                   | 1                    | 01.0855               | Sauggehäuse                      | Suction Casing                |
| 33                   | 1                    | 07.4185               | Verschlußschraube G1/2           | Screw Plug G1/2               |
| 34                   | 1                    | 06.1514               | Dichtring G1/2                   | Seal G1/2                     |
| 35                   | 2                    | 07.1397               | Verschlußschraube G1/4           | Screw Plug G1/4               |
| 36                   | 2                    | 06.1513               | Dichtring G1/4                   | Seal G1/4                     |
| 37                   | 3                    | 07.4153               | Ventilsitz                       | Valve Seat                    |
| 38                   | 6                    | 00.5381               | Ventil kpl.                      | Kick-Back Valve High-Perform. |
| o39                  | 3                    | 06.1196               | O-Ring MN                        | O-Ring MN                     |
| •39                  | 3                    | 06.1368               | O-Ring MV                        | O-Ring MV                     |
| o40                  | 3                    | 06.0245               | O-Ring MN                        | O-Ring MN                     |
| •40                  | 3                    | 06.0837               | O-Ring MV                        | O-Ring MV                     |
| 41                   | 1                    | 01.0700               | Druckgehäuse                     | Discharge Casing              |
| 42                   | 8                    | 21.0630               | Innensechskantschraube           | Hexagon Socket Screw          |
| 44                   | 1                    | 07.3547               | Stopfen G1/8                     | Socket Plug G1/8              |
| 45                   | 1                    | 06.1512               | Dichtung G1/8                    | Seal G1/8                     |
|                      |                      | 00.5943               | Antrieb kpl. (Pos.1-19/38/42)    | Gear Assy (Pos.1-19/38/42)    |
| o                    |                      | 14.0727               | Rep. Satz Dichtungen NBR         | Seal Repair Kit NBR (Nitrile) |
| •                    |                      | 14.0729               | Rep. Satz Dichtungen Viton (FPM) | Seal Repair Kit Viton (FPM)   |

Die Version **LMN** ist mit Metallventileinsatz und O-Ringen in NBR ausgestattet.  
 Die Version **LMV** ist mit Metallventileinsatz und O-Ringen in Viton (FPM) ausgestattet.  
 Die Plungerdichtungen sind bei allen Versionen aus PTFE.

The **LMN** version is fitted with a metal valve insert and NBR fabric O-rings.  
 The **LMV** version is fitted with a metal valve insert and viton (FPM) O-rings.  
 All pump versions are equipped with teflon (PTFE) plunger seals.

Bei Bestellung von Ersatzteilen bitte Bestell-Nr., Pumpen-Nr. und -type angeben  
 When ordering please state Code No., Pump Model and Pump Serial No.



Technische Änderungen vorbehalten  
 Subject to change

**NP11/5-220LMN / LMV**