



Leistungsbereich - Performance

| Type | Best.-Nr. | Überdruck | Vordruck | Drehzahl | Fördermenge | Medium temp. | Plunger -Ø | Hub | Gewicht |
|--------------|-----------|---------------|--------------------|-------------------|-------------|--------------|--------------|--------|----------------|
| | Code No. | max. | max. | max. | max. | | | | ca. |
| | | Pressure max. | Feed-Pressure max. | RPM max. | Output max. | Media-Temp. | Plunger dia. | Stroke | Weight approx. |
| | | bar | bar | min ⁻¹ | l/min | °C | mm | mm | kg |
| NP25/70-100C | 00.5509 | 120 | 40 | 750 | 35.0 | -40 | 30 | 24 | 16.6 |

Achtung! Wenn CO₂ unter 0°C verpumpt wird, muss im Getriebe synthetisches Motorenöl der Klasse **SAE 0 W 40** eingefüllt werden!

Important! The crankcase must be filled with synthetic motor oil of the class **SAE 0 W 40** when pumping CO₂ under 0°C.

Für Inbetriebnahme, Wartung, Sicherheitsvorschriften und Instandsetzung beachten Sie die Betriebsanleitung der Standardpumpen NP25/70-100.

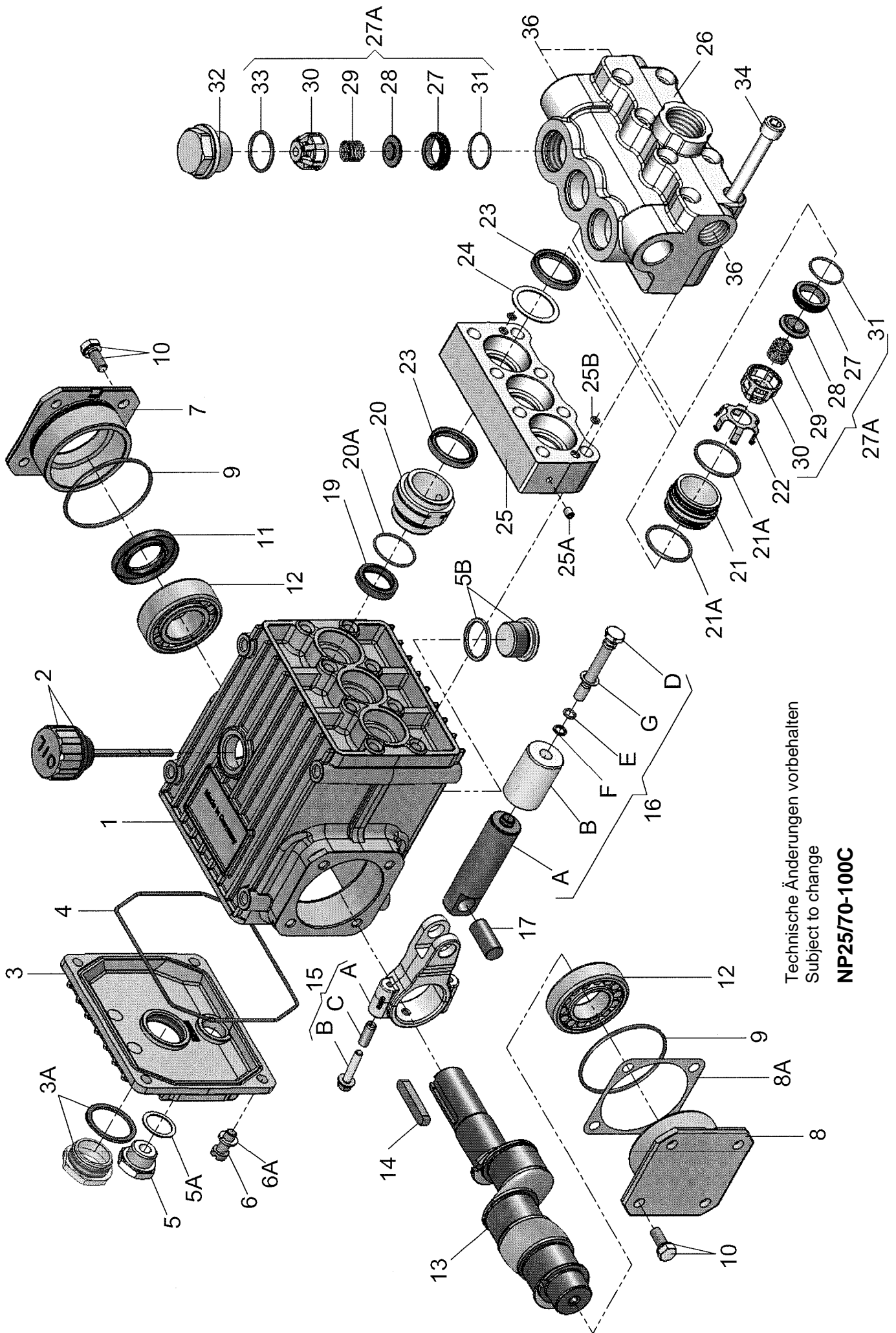
Please refer to the operating instructions for the standard NP25/70-100 pumps with regard to operation, maintenance, safety guidelines and repair

| Lfd. Nr. Item No. | Stückzahl No. Off | Best.-Nr. Code No. | Benennung | Description |
|----------------------|----------------------|-----------------------|---------------------------|------------------------------|
| 1 | 1 | 01.0599 | Antriebsgehäuse | Crankcase |
| 2 | 1 | 00.3090 | Olmeßstab | Oil Dipstick |
| 3 | 1 | 03.0243 | Getriebedeckel | Crankcase Cover |
| 3A | 1 | 00.2416 | Ölschauglas kpl. | Oil Sight Glass Assy |
| 4 | 1 | 06.1005 | O-Ring | O-Ring |
| 5 | 1 | 07.0705 | Stopfen G1/2 | Plug G1/2 |
| 5A | 1 | 06.0282 | Dichtung G1/2 | Gasket G1/2 |
| 5B | 1 | 00.4510 | Stopfen kpl. | Plug Assy |
| 6 | 4 | 21.0026 | Zylinderschraube | Cylinder Screw |
| 6A | 4 | 07.2994 | Federring | Spring Washer |
| 7 | 1 | 03.0339 | Lagerdeckel | Bearing Cover |
| 8 | 1 | 03.0350 | Lagerdeckel | Bearing Cover |
| 8A | 1-3 | 07.4455 | Paßscheibe | Fitting Disc |
| 8B | 1 | 07.4456 | Paßscheibe | Fitting Disc |
| 9 | 2 | 06.0058 | O-Ring | O-Ring |
| 10 | 8 | 21.0034 | Sechskantschraube | Hexagon Screw |
| 11 | 1 | 06.0287 | Radialwellendichtring | Radial Shaft Seal |
| 12 | 2 | 05.0202 | Kegelrollenlager | Taper Roller Bearing |
| 13 | 1 | 11.0626 | Kurbelwelle | Crankshaft |
| 14 | 1 | 07.3522 | Paßfeder | Fitting Key |
| 15 | 3 | 00.2458 | Gleitlagerpleuel kpl. | Connecting Rod Assy |
| 16 | 3 | 00.6060 | Plunger kpl. Ø30 | Plunger Assy dia.30 |
| 16A | 3 | 11.0772 | Plunger | Plunger |
| 16B | 3 | 11.0784 | Plungerrohr | Plunger Pipe |
| 16D | 3 | 21.0338 | Spannschraube | Tension Screw |
| 16E | 3 | 06.0113 | O-Ring | O-Ring |
| 16F | 3 | 06.0114 | Stützring | Support Ring |
| 16G | 3 | 06.0275 | Kupferdichtring | Copper Gasket |
| 17 | 3 | 11.0739 | Kreuzkopfbolzen | Crosshead Pin |
| •19 | 3 | 06.1036 | Getriebedichtung | Gear Seal |
| 20 | 3 | 07.4043 | Getriebedichtungsaufnahme | Gear-Seal Adaptor |
| •20A | 3 | 06.0846 | O-Ring | O-Ring |
| 21 | 3 | 07.4045 | Dichtungskassette | Seal Case |
| •21A | 6 | 06.1372* | O-Ring | O-Ring |
| 22 | 3 | 07.4123 | Ventilhalter | Valve Holder |
| •23 | 6 | 06.1506 | Nutring | Grooved Seal |
| •24 | 3 | 07.4044 | Stützring | Support Ring |
| 25 | 1 | 01.0838 | Dichtungsgehäuse | Intermediate Casing |
| 25A | 2 | 21.0548 | Gewindestift | Thread Plug |
| •25B | 2 | 06.1507* | O-Ring | O-Ring |
| 26 | 1 | 01.0839 | Ventilgehäuse | Valve Casing |
| ••27A | 6 | 00.5511 | Ventil kpl. | Valve Assy |
| 27 | 6 | 07.4053 | Ventilsitz | Valve Seat |
| 28 | 6 | 07.4124 | Ventilplatte | Valve Plate |
| 29 | 6 | 07.3585 | Ventilfeder | Valve Spring |
| 30 | 6 | 07.4122 | Federspannschale | Spring Tension Cap |
| 31 | 6 | 06.1079* | O-Ring | O-Ring |
| 32 | 3 | 07.2809 | Stopfen M30x1.5 | Plug M30x1.5 |
| ••33 | 3 | 06.1078* | O-Ring | O-Ring |
| 34 | 3 | 21.0527 | Innensechskantschraube | Inner Hexagon Screw |
| 36 | 3 | 07.1001 | Stopfen G3/4 | Plug G3/4 |
| | | 00.6098 | Antrieb kpl. (1-20A,34) | Gear Assy (1-20A,34) |
| | | 00.5510 | Pumpenkopf (22,26-36) | Pump Head Assy (22,26-36) |
| | | 00.5876 | Dichtungsgehäuse (21-25B) | Intermediate casing (21-25B) |
| | | 14.0659 | Rep.Satz Ventile | Valve Repair Kit |
| | | 14.0658 | Rep.Satz Dichtungen | Seal Repair Kit |

Bei Bestellung von Ersatzteilen bitte Bestell-Nr., Pumpen-Nr. und -type angeben.
When ordering please state Code No., Pump Model and Pump Serial No.

* Diese EPDM O-Ringe nicht mit Mineralöl oder Mineralfett benetzen. Silikonfett benutzen.

* These EPDM (Buna) O-Rings must not come into contact with mineral oil or mineral grease. Use silicon grease only



Technische Änderungen vorbehalten
 Subject to change

NP2570-100C