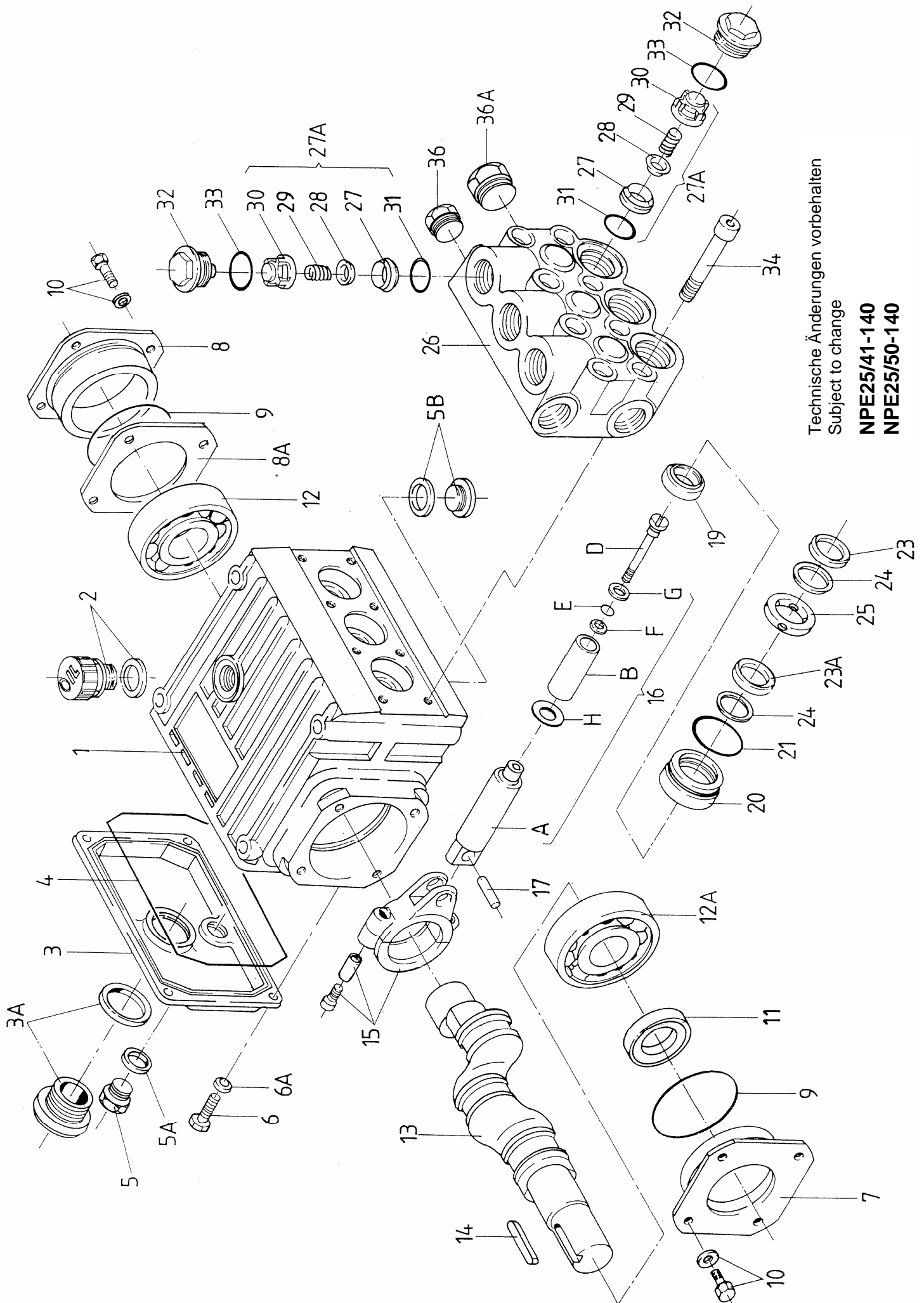


Ersatzteilverzeichnis NPE25/41-140
Spare Parts List NPE25/50-140

Best.-Nr.: 00.5834
Code No.: 00.5907

| Lfd. Nr. Item No. | Stückzahl No. Off | Best.-Nr. Code No. | Benennung | Description |
|----------------------|----------------------|-----------------------|-----------------------------------|-------------------------------|
| 1 | 1 | 01.0599 | Antriebsgehäuse | Crankcase |
| 2 | 1 | 00.5012 | Ölauffüllstopfen m. Dichtung kpl. | Oil Filler Plug c/w Seal |
| 3 | 1 | 03.0243 | Getriebedeckel | Crankcase Cover |
| 3A | 1 | 00.2416 | Ölschauglas | Oil Sight Glass Assy |
| 4 | 1 | 06.1005 | O-Ring | O-Ring |
| 5 | 1 | 07.0705 | Stopfen G1/2 | Plug G1/2 |
| 5A | 1 | 06.0282 | Dichtung G1/2 | Gasket G1/2 |
| 5B | 1 | 00.4510 | Stopfen kpl. | Plug Assy |
| 6 | 4 | 21.0026 | Zylinderschraube | Cylinder Screw |
| 6A | 4 | 07.2994 | Federring | Spring Washer |
| 7 | 1 | 03.0339 | Lagerdeckel offen | Bearing Cover Open |
| 8 | 1 | 03.0340 | Lagerdeckel geschlossen | Bearing Cover Closed |
| 8A | 1-3 | 07.4456 | Passscheibe | Fitting Disc |
| 8B | 1-3 | 07.4455 | Passscheibe | Fitting Disc |
| 9 | 2 | 06.0058 | O-Ring | O-Ring |
| 10 | 8 | 21.0034 | Sechskantschraube | Hexagon Screw |
| 11 | 1 | 06.0287 | Radialwellendichtring | Radial Shaft Seal |
| 12 | 1 | 05.0201 | Kegelrollenrollenlager | Taper Roller Bearing |
| 12A | 1 | 05.0202 | Kegelrollenrollenlager | Taper Roller Bearing |
| 13 | 1 | 11.0625 | Kurbelwelle NPE25/41-140 | Crankshaft NPE25/41-140 |
| 13 | 1 | 11.0626 | Kurbelwelle NPE25/50-140 | Crankshaft NPE25/50-140 |
| 14 | 1 | 07.3522 | Paßfeder | Fitting Key |
| 15 | 3 | 00.2458 | Gleitlagerpleuel kpl. | Connecting Rod Assy |
| 16 | 3 | 00.5880 | Plunger kpl. | Plunger Assy |
| 16A | 3 | 11.0772 | Plunger | Plunger |
| 16B | 3 | 11.0574 | Plungerrohr | Plunger Pipe |
| 16D | 3 | 21.0338 | Spannschraube | Tension Screw |
| 16E | 3 | 06.0113 | O-Ring | O-Ring |
| 16F | 3 | 06.0114 | Stützring | Support Ring |
| 16G | 3 | 06.0275 | Cu-Dichtring | Copper Washer |
| 16H | 3 | 07.3723 | Ölabstreifer | Drip Shield |
| 17 | 3 | 11.0739 | Kreuzkopfbolzen | Crosshead Pin |
| •19 | 3 | 06.1569 | Wellendichtring | Shaft Seal |
| 20 | 3 | 07.4088 | Dichtungsaufnahme | Seal Retainer |
| •21 | 3 | 06.0277 | O-Ring | O-Ring |
| •23 | 3 | 06.1309 | Nutring | Grooved Seal |
| •23A | 3 | 06.1310 | Nutring | Grooved Seal |
| •24 | 6 | 07.2695 | Stützring | Support Ring |
| 25 | 3 | 07.2700 | LRF-Ring | Drip Return Ring |
| 26 | 1 | 01.0600 | Ventilgehäuse | Valve Casing |
| 27A | 6 | 00.2946 | Ventil kpl. | Valve Assy |
| ••27 | 6 | 07.2702 | Ventilsitz | Valve Seat |
| ••28 | 6 | 07.3913 | Ventilplatte | Valve Plate |
| ••29 | 6 | 07.3585 | Ventilfeder | Valve Spring |
| ••30 | 6 | 07.2705 | Federspannschale | Spring Tension Cap |
| ••31 | 6 | 06.0250 | O-Ring | O-Ring |
| 32 | 6 | 07.2809 | Stopfen | Plug |
| ••33 | 6 | 06.0251 | O-Ring | O-Ring |
| 34 | 8 | 21.0330 | Innensechskantschraube | Hexagon Socket Screw |
| 36 | 1 | 07.1001 | Stopfen G3/4 | Plug G3/4 |
| 36A | 1 | 07.1008 | Stopfen G1 | Plug G1 |
| | | 00.5909 | Antrieb kpl. NPE25/41 (1-19, 34) | Gear Assy NPE25/41 (1-19, 34) |
| | | 00.5908 | Antrieb kpl. NPE25/50 (1-19, 34) | Gear Assy NPE25/50 (1-19, 34) |
| | | 00.3081 | Pumpenkopf kpl. (20-33/36/36A) | Pump Head Assy (20-33/36/36A) |
| • | 1 | 14.0732 | Rep. Satz Dichtungen | Seal Repair Kit |
| •• | 1 | 14.0397 | Rep. Satz Ventile | Valve Repair Kit |

Bei Bestellung von Ersatzteilen bitte Bestell-Nr., Pumpen-Nr. und -type angeben
 When ordering, please state Code No., Pump Model and Pump Serial No.



Technische Änderungen vorbehalten
 Subject to change

NPE25/41-140
NPE25/50-140