

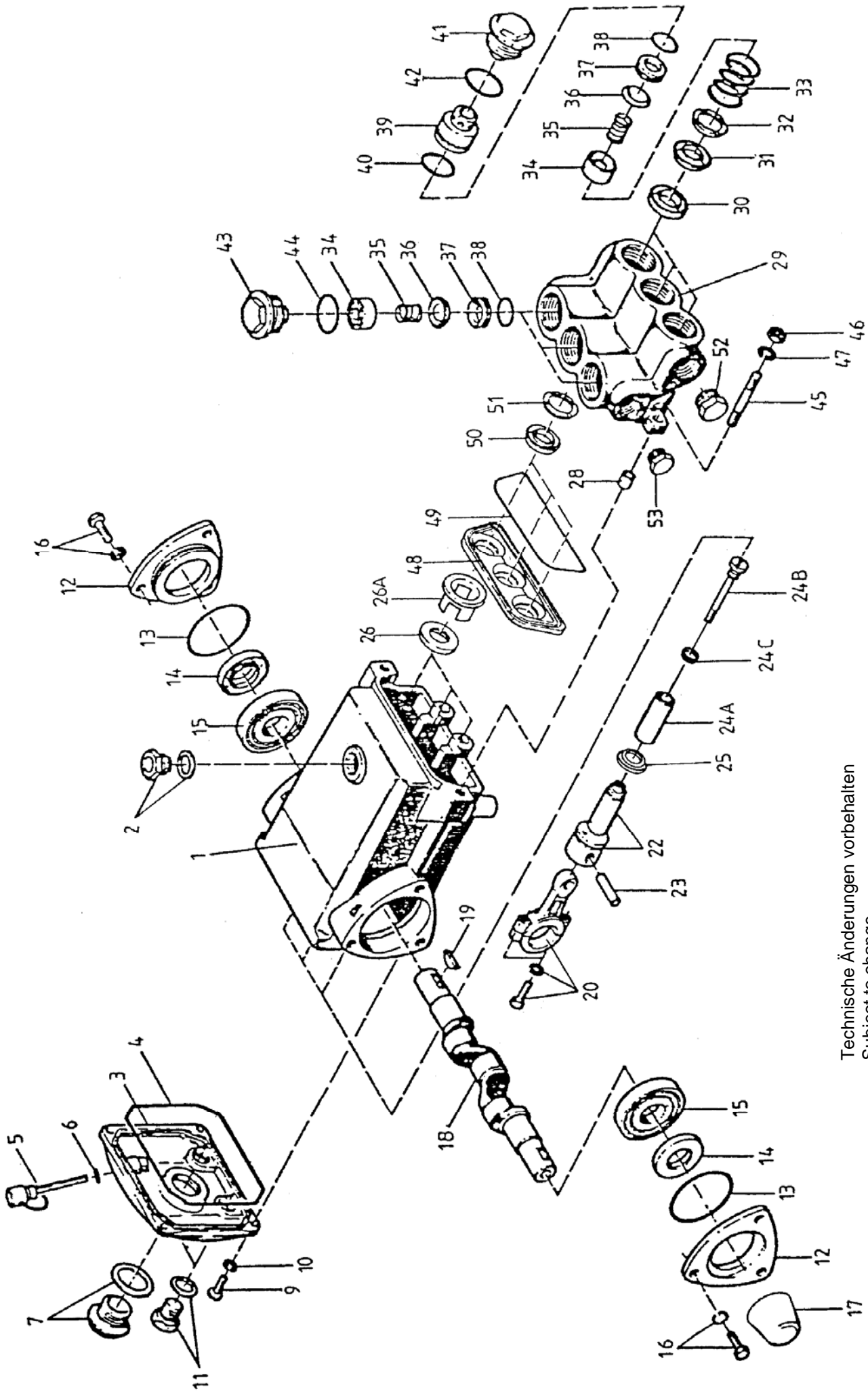
**Ersatzteilverzeichnis  
Spare Parts List**

**P21/16-200  
P21/15-160  
P21/18-130  
P21/23-130**

**Best.-Nr.: 00.0866  
Code Nr. 00.0543  
00.0555  
00.0579**

Lfd. Nr. Item No.	Stückzahl No. Off	Best.-Nr. Code No.	Benennung	Description
1	1	01.0258	Antriebsgehäuse	Crankcase
2	1	00.2373	Entl- Füllstopfen m. Dichtung G1/2	Vent/Filler Plug w/Seal G1/2
3	1	03.0154	Getriebedeckel	Crankcase Cover
4	1	06.0248	O-Ring zu 3	O-Ring for 3
5	1	00.0556	Ölmeßstab	Oil Dipstick
6	1	06.0053	O-Ring zu 5	O-Ring for 5
7	1	00.2416	Ölschauglas kpl. G1	Oil Sight Glass Assy G1
9	4	21.0069	Zylinderschraube m. Schlitz	Cylinder Screw
10	4	07.3052	Federring	Spring Ring
11	2	00.2372	Ölablaßstopfen m. Dicht. G1/4	Oil Drain Plug w/Seal G1/4
12	2	03.0157	Lagerdeckel	Bearing Cover
13	2	06.0249	O-Ring zu 12	O-Ring for 12
14	2	06.0057	Radialwellendichtring	Radial Shaft Seal
15	2	05.0078	Rillenkugellager	Grooved Ball Bearing
16	6	21.0034	Sechskantschraube	Hexagon Screw
17	1	07.4599	Wellenschutz	Shaft Protector
18	1	11.0249	Kurbelwelle P21/15; P21/18	Crankshaft P21/15; P21/18
18	1	11.0267	Kurbelwelle P21/16; P21/23	Crankshaft P21/16; P21/23
19	1	07.0596	Scheibenfeder	Woodruff Key
20	3	00.3287	Gleitlagerpleuel kpl.	Connecting Rod Assy
22	3	00.0597	Kreuzkopf mit Plunger	Crosshead w/Plunger
23	3	11.0066	Kreuzkopfbolzen	Crosshead Pin
24A	3	11.0280	Plungerrohr P21/16	Plunger Pipe P21/16
24A	3	11.0115	Plungerrohr P21/15	Plunger Pipe P21/15
24A	3	11.0124	Plungerrohr P21/18; P21/23	Plunger Pipe P21/18; P21/23
24B	3	21.0351	Spannschraube	Tension Screw
24C	3	06.0306	Cu-Dichtring	Copper Gasket
25	3	07.3918	Ölabstreifer	Oil Scraper
26	3	06.0064	Radialwellendichtring	Radial Shaft Seal
26A	3	07.2962	Distanzhülse	Spacer Sleeve
28	2	07.0558	Zentrierhülse	Centring Sleeve
29	1	01.0447	Ventilgehäuse P21/16	Valve Casing P21/16
29	1	01.0405	Ventilgehäuse P21/15; P21/18; P21/23	Valve Casing P21/15; P21/18; P21/23
30	3	07.1676	Druckring P21/16	Pressure Ring P21/16
30	3	07.0836	Druckring P21/15	Pressure Ring P21/15
30	3	07.0995	Druckring P21/18; P21/23	Pressure Ring P21/18; P21/23
+31	3	06.0458	Dachmanschette P21/16	V-Sleeve P21/16
*31	3	06.0283	Dachmanschette P21/15	V-Sleeve P21/15
o31	3	06.0308	Dachmanschette P21/18; P21/23	V-Sleeve P21/18; P21/23
32	3	07.1675	Manschettensstützring P21/16	Sleeve Support Ring P21/16
32	3	07.0837	Manschettensstützring P21/15	Sleeve Support Ring P21/15
32	3	07.0903	Manschettensstützring P21/18; P21/23	Sleeve Support Ring P21/18; P21/23
33	3	07.2708	Druckfeder P21/16	Pressure Spring P21/16
33	3	07.0838	Druckfeder P21/15; P21/18; P21/23	Pressure Spring P21/15; P21/18; P21/23
++34	6	07.2172	Federspannschale P21/16	Spring Tension Cap P21/16
**34	6	07.0956	Federspannschale P21/15; P21/18; P21/23	Spring Tension Cap P21/15; P21/18; P21/23
++35	6	07.2544	Ventilfeder P21/16	Valve Spring P21/16
**35	6	07.1941	Ventilfeder P21/15; P21/18; P21/23	Valve Spring P21/15; P21/18; P21/23
++36	6	07.2173	Ventilplatte P21/16	Valve Plate P21/16
**36	6	07.1004	Ventilplatte P21/15; P21/18; P21/23	Valve Plate P21/15; P21/18; P21/23
++37	6	07.1650	Ventilsitz P21/16	Valve Seat P21/16
**37	6	07.0292	Ventilsitz P21/15; P21/18; P21/23	Valve Seat P21/15; P21/18; P21/23
++38	6	06.0078	O-Ring zu 37 P21/16	O-Ring for 37 P21/16
**38	6	06.0067	O-Ring zu 37 P21/15; P21/18; P21/23	O-Ring for 37 P21/15; P21/18; P21/23
39	3	07.1661	Saugventilaufnahme P21/16	Suction Valve Adaptor P21/16
39	3	07.0815	Saugventilaufnahme P21/15; P21/18; P21/23	Suction Valve Adaptor P21/15; P21/18; P21/23
o+40	3	06.0250	O-Ring zu 39	O-Ring for 39
41	3	07.1674	Stopfen M30 x 1.5 P21/16	Plug M30 x 1.5 P21/16
41	3	07.0814	Stopfen M30 x 1.5 P21/15; P21/18; P21/23	Plug M30 x 1.5 P21/15; P21/18; P21/23
o+42	3	06.0251	O-Ring zu 41	O-Ring for 41
43	3	07.1660	Stopfen G 3/4 P21/16	Plug G 3/4 P21/16
43	3	07.1514	Stopfen G 3/4 P21/15; P21/18; P21/23	Plug G 3/4 P21/15; P21/18; P21/23
o+44	3	06.0496	O-Ring zu 43	O-Ring for 43
45	4	21.0078	Stiftschraube	Stud Bolt
46	4	07.2398	Sechskantmutter	Hexagon Nut
47	4	07.2706	Scheibe	Disc
48	1	01.0451	Zwischengehäuse P21/16	Intermediate Casing P21/16
48	1	01.0439	Zwischengehäuse P21/15	Intermediate Casing P21/15
48	1	01.0440	Zwischengehäuse P21/18; P21/23	Intermediate Casing P21/18; P21/23
o+49	1	06.0252	Form O-Ring zu 48	O-Ring for 48
+50	3	06.0310	Manschette P21/16;	Sleeve P21/16;
*50	3	06.1298	Nutring P21/15	Seal Ring P21/15
o50	3	06.1436	Nutring P21/18; P21/23	Seal Ring P21/18; P21/23
51	3	07.1020	Manschettensstützring P21/16	Sleeve Support Ring P21/16
*51	3	07.3383	Manschettensstützring P21/15	Sleeve Support Ring P21/15
o51	3	07.3384	Manschettensstützring P21/18; P21/23	Sleeve Support Ring P21/18; P21/23
52	1	07.0705	Stopfen G1/2	Plug G1/2
53	1	07.0608	Stopfen G3/8	Plug G3/8
	1	00.1307	Pumpenkopf kpl. P21/16 (29-44/52/53)	Pump Head Assy P21/16 (29-44/52/53)
	1	00.0788	Pumpenkopf kpl. P21/15 (29-44/52/53)	Pump Head Assy P21/15 (29-44/52/53)
	1	00.0789	Pumpenkopf kpl. P21/18; P21/23 (29-44/52/53)	Pump Head Assy P21/18; P21/23 (29-44/52/53)
	1	00.1965	Antrieb kpl. P21/16 (1-28/45-47)	Gear Assy P21/16 (1-28/45-47)
	1	00.1964	Antrieb kpl. P21/15 (1-28/45-47)	Gear Assy P21/15 (1-28/45-47)
	1	00.1966	Antrieb kpl. P21/18 (1-28/45-47)	Gear Assy P21/18 (1-28/45-47)
	1	00.1967	Antrieb kpl. P21/23 (1-28/45-47)	Gear Assy P21/23 (1-28/45-47)
.	1	14.0498	Rep. Satz Dichtungen P21/15	Seal Repair Kit P21/15
+	1	14.0305	Rep. Satz Dichtungen P21/16	Seal Repair Kit P21/16
o	1	14.0500	Rep. Satz Dichtungen P21/18; P21/23	Seal Repair Kit P21/18; P21/23
**	1	14.0496	Rep. Satz Ventile P21/15; P21/18; P21/23	Valve Repair Kit P21/15; P21/18; P21/23
++	1	14.0335	Rep. Satz Ventile P21/16	Valve Repair Kit P21/16

Bei Bestellung von Ersatzteilen bitte Bestell-Nr., Pumpen-Nr. und -type angeben  
When ordering please state Code No., Pump Model and Pump Serial No.



Technische Änderungen vorbehalten  
 Subject to change

P21